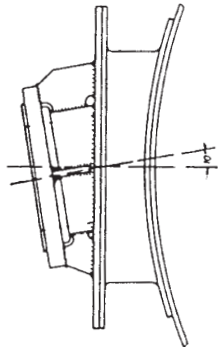
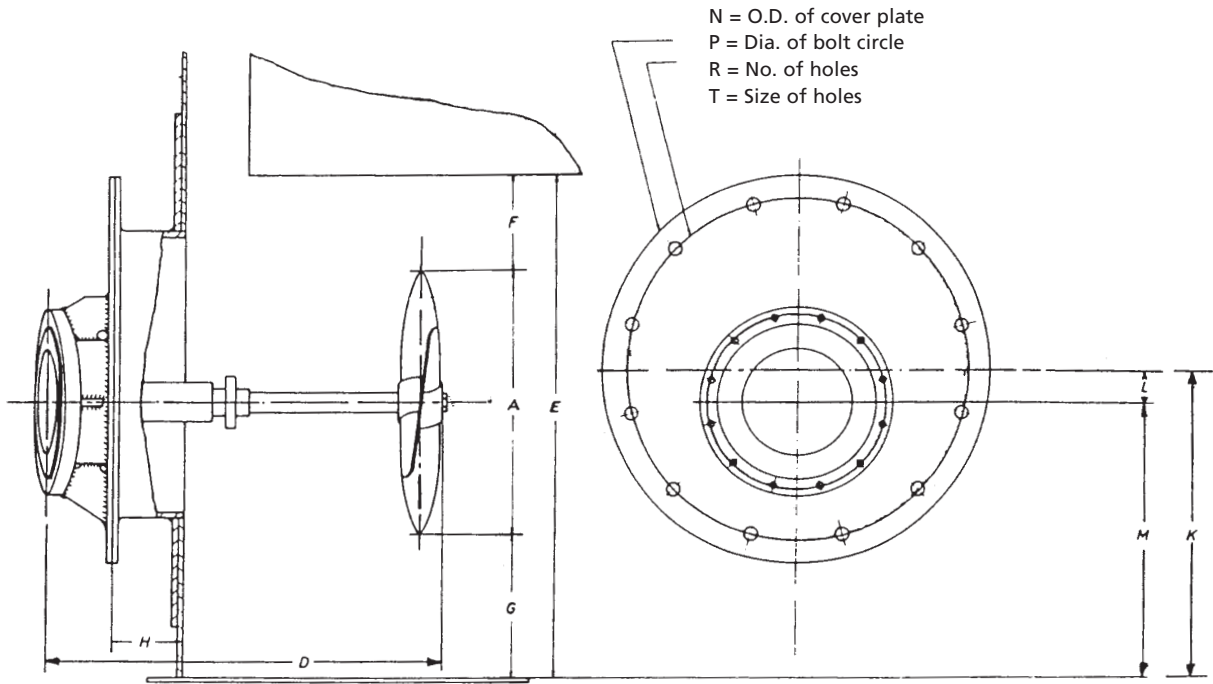


# Tankumwolzer Baureihe 90

## Tank Mixer Series 90



Bolt holes straddle vertical center line, if not specified otherwise.

F min. = 150 mm (6")

G min. = 150 mm (6")

Manhole covers are manufactured in accordance with customers specifications. We fabricate all standards: API 650, ASME Code, DIN, etc.

Model	A	D	E	G	H	K	L	M	N	P	R	T

CUSTOMER: \_\_\_\_\_

CUSTOMER REF.: \_\_\_\_\_

PT - REF.: \_\_\_\_\_

TANK NO.: \_\_\_\_\_