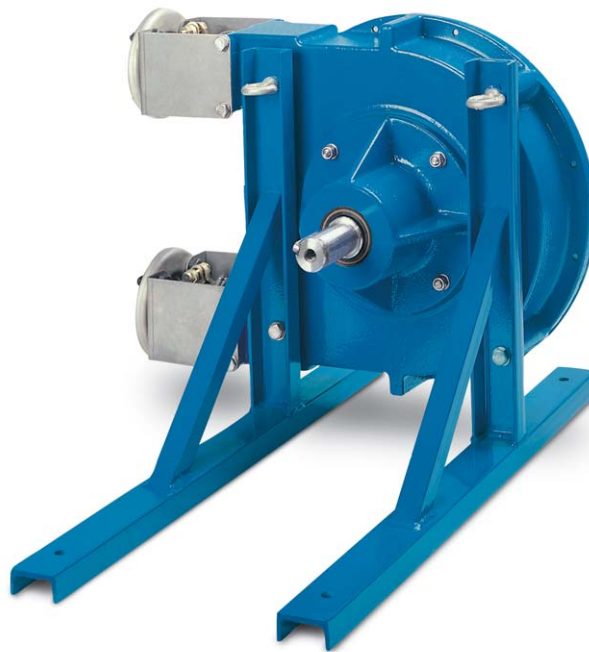
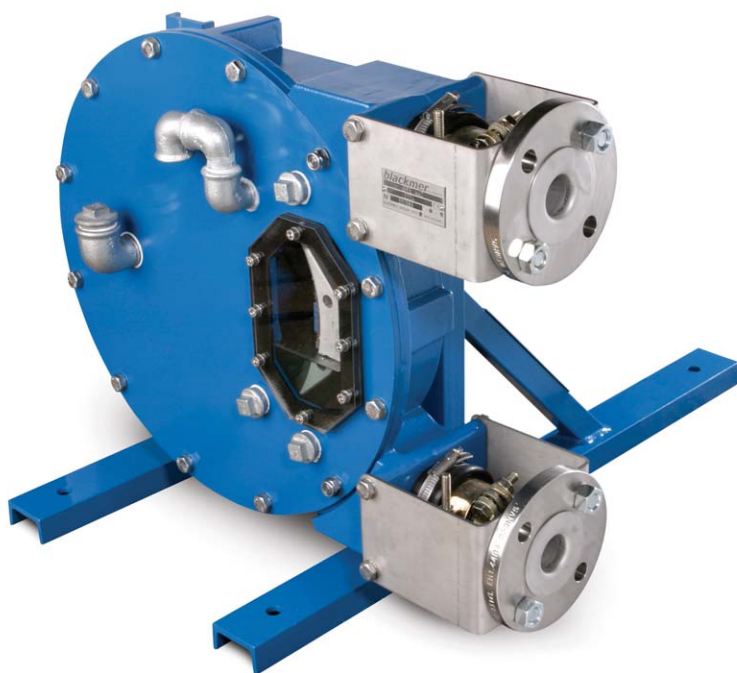




Abaque Series

Peristaltic Hose Pump



Pump With Confidence

The Blackmer Abaque Series pump can handle your toughest pumping needs – from abrasive and aggressive to shear-sensitive and viscous materials.

Durable

Ductile iron and steel construction allow higher discharge pressures to 217.5 psi (15 bar). Its solid construction and advanced design also reduce maintenance and repairs.

Reliable

The Blackmer Abaque Series pump is self-priming to 29.5 ft (9 meters) manometric lift. This pump is able to run dry continuously without detrimental effects. The pump is capable of running in forward or reverse.

Seal Free

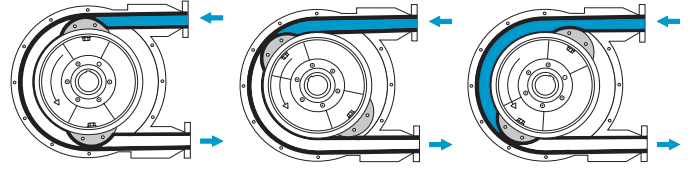
Seal free design eliminates leaks and contamination. Fluids are contained within the hose. The hose is the primary maintenance component.



Abaque Series Peristaltic Hose Pump

Principle of Operation

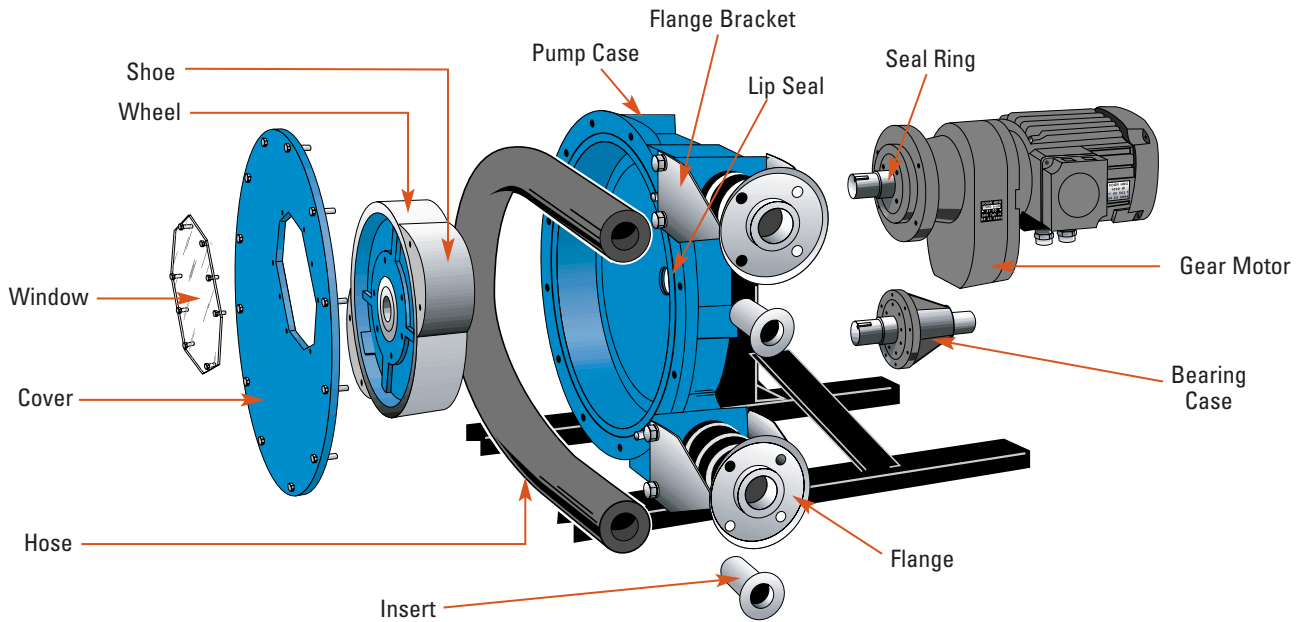
Pumping action is achieved by compression of a circular loop of elastomeric hose with two diametrically opposed rotating shoes. This rotational motion forces the fluid in the hose to move ahead of each shoe. When each shoe reaches the end of the loop, the reinforced tube immediately returns to its original shape, thereby ensuring suction and priming. The pump housing is partially filled with lubricant, aiding smooth running of the shoes on the hose. The inside of the hose and hose inserts are the only pieces of equipment in contact with pumped fluids, allowing aggressive and contaminated fluids to be pumped.



Applications

- Chemical process industry
- Food industry
- Industrial and municipal water treatment
- Paints and coatings
- Ceramics
- Mining
- Filter press equipment

Construction



Blackmer Abaque Series Pump Construction

Pump Case:	Ductile iron
Wheel:	Ductile iron
Shoes:	Aluminum or cast iron
Cover:	Steel and Polycarbonate
Flange and brackets:	Stainless steel - ANSI or DIN
Hoses:	Natural rubber, Buna (NBR) or EPDM
Hoses inserts:	Stainless steel (std.), PPH or PVDF



Hoses

The following hoses are available for use in the Abaque Series pump:

- **Natural rubber:** Highly resilient with excellent abrasion resistance and strength. Generally resistant to diluted acids and alcohols.
- **Buna (NBR):** Highly wear resistant to oily products.
- **EPDM:** High chemical resistance, especially with concentrated acids, alcohols and ketones.

Options

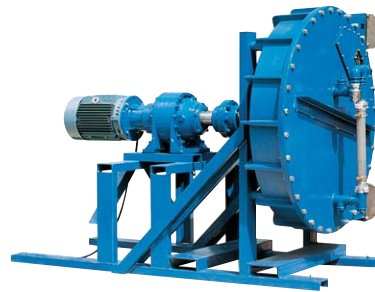
The Abaque Series pump is available in 10 different sizes, ranging from flow rates of .07 to 290 gpm (15 to 66,000 liters/h). Choose close-coupled or bare shaft models.

Also available:

- Leak detector
- Vacuum assist
- Non-metallic inserts (PPH, PVDF)



Close-Coupled A40



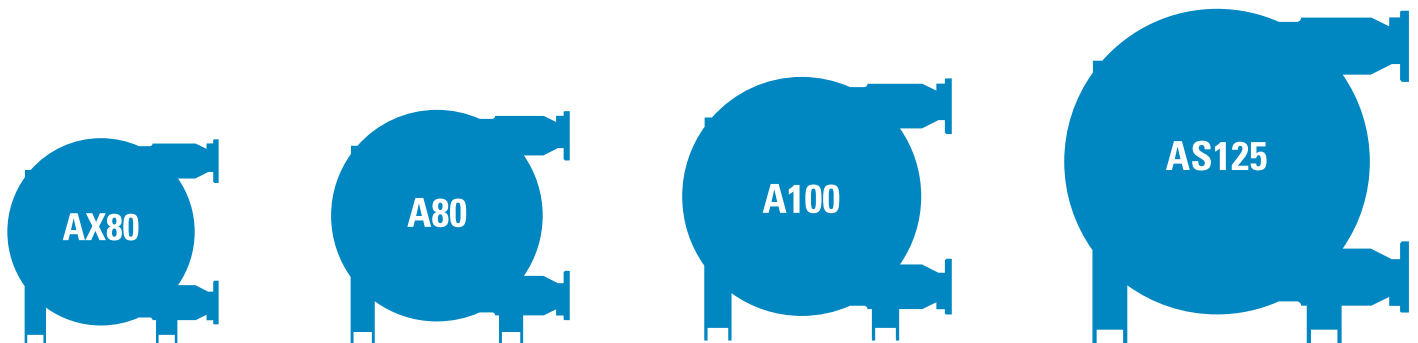
Long-Coupled AS125

Performance Data

Flow Rates		10 RPM	20 RPM	30 RPM	40 RPM	50 RPM	60 RPM	70 RPM	80 RPM	90 RPM	100 RPM	110 RPM	120 RPM	130 RPM	140 RPM	Discharge Pressure
A10	m ³ /hr GPM	0.015 0.07	0.030 0.13	0.045 0.20	0.060 0.26	0.075 0.33	0.090 0.40	0.105 0.46	0.120 0.53	0.135 0.59						116 PSI 8.0 Bar
A20	m ³ /hr GPM	0.08 0.37	0.17 0.73	0.25 1.10	0.33 1.47	0.42 1.83	0.50 2.20	0.58 2.57	0.67 2.93	0.75 3.30						116 PSI 8.0 Bar
A25	M ³ /hr GPM	0.17 0.73	0.33 1.47	0.50 2.20	0.67 2.93	0.83 3.67	1.00 4.40	1.17 5.13	1.33 5.87	1.50 6.60	1.67 7.33	1.83 8.07	2.00 8.80	2.17 9.53	2.33 10.27	217 PSI 15.0 Bar
A40	m ³ /hr GPM	0.52 2.3	1.03 4.5	1.55 6.8	2.07 9.1	2.58 11.4	3.10 13.6	3.62 15.9	4.13 18.2	4.65 20.5	5.17 22.7	5.68 25.0	6.20 27.3	6.72 29.6	7.23 31.8	217 PSI 15.0 Bar
AX40	m ³ /hr GPM	0.8 3.5	1.6 7.0	2.4 10.6	3.2 14.1	4.0 17.6	4.8 21.1	5.6 24.6	6.4 28.2	7.2 31.7	8.0 35.2	8.8 38.7	9.6 42.2			217 PSI 15.0 Bar
A65	m ³ /hr GPM	2.03 8.9	4.05 17.8	6.08 26.7	8.10 35.6	10.13 44.6	12.15 53.5	14.18 62.4	16.20 71.3	18.23 80.2						217 PSI 15.0 Bar
AX80	m ³ /hr GPM	5 23.5	10.7 46.9	16.0 70.4	21.3 93.8	26.7 117.3	32.0 140.7									217 PSI 15.0 Bar
A80	m ³ /hr GPM	6.5 29	13.0 57	19.5 86	26.0 114	32.5 143	39.0 172									217 PSI 15.0 Bar
A100	m ³ /hr GPM	12 53	24 106	36 158	48 211											217 PSI 15.0 Bar
AS125	m ³ /hr GPM	22 97	44 194	66 290												217 PSI 15.0 Bar

Legend	Constant Duty at Maximum Pressure	Intermittent Duty at Maximum Pressure
---------------	-----------------------------------	---------------------------------------

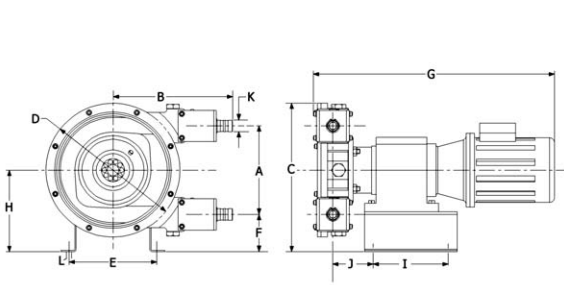
*Flow rates may vary depending upon application.



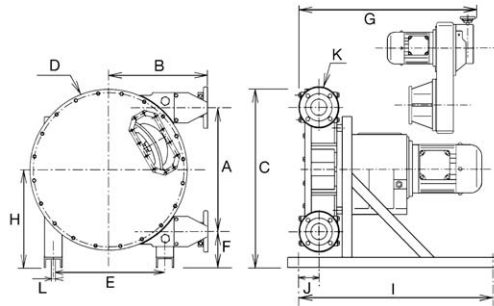


Abaque Series Peristaltic Hose Pump

A Series (close-coupled)

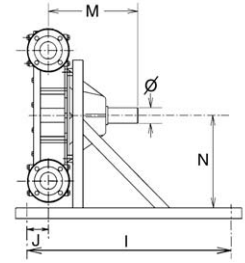


A10 - A20 Pump



A25 - A100 Pump

AS Series (bare shaft)



Dimensions (inches)

Pump	A (in.)	B (in.)	C (in.)	D (in.)	E (in.)	F ¹ (in.)	G ¹ (in.)	H ¹ (in.)	I (in.)	J ¹ (in.)	K ² (in.)	L (in.)	M (in.)	N (in.)	Weight ³ (lb.)
A10	4.53	7.72	10.71	7.48	7.48	4.7	23.82	6.97	6.69	3.15	0.63	0.35	5.79	4.13	33
A20	7.56	10.20	12.80	11.42	7.48	3.19	25.6	6.97	6.69	3.31	0.98	0.35	7.15	6.50	57
A25	10.31	12.19	16.34	14.96	8.66	3.70	32.87	8.86	22.44	3.78	1	0.59	8.09	7.68	123
A40	12.99	15.00	20.63	18.74	12.40	4.76	40.16	11.26	25.98	5.08	1.5	0.59	10.73	10.08	225
AX40	16.93	16.36	24.25	22.91	13.39	4.33	34.06	12.80	37.40	3.54	1.5	0.59	10.02	11.02	287
A65	21.81	17.91	31.57	28.35	20.04	6.50	41.73	17.40	37.40	6.10	2.5	0.75	12.48	15.63	538
AX80	29.37	22.91	39.53	37.24	22.83	6.22	49.21	20.91	43.31	4.72	3	0.75	15.75	18.94	1,008
A80	34.49	28.76	49.41	43.70	27.17	10.31	56.50	27.56	51.18	8.09	3	1.10	17.76	25.20	1,742
A100	40.94	32.17	59.25	53.94	32.28	11.81	59.06	32.28	74.80	11.61	4	1.10	22.52	29.92	2,123
AS125	50.39	37.80	66.34	61.81	39.37	10.24	NA ⁴	35.43	68.90	12.52	5	1.10	26.57	32.68	3,265

Dimensions (millimeters)

Pump	A (mm)	B (mm)	C (mm)	D (mm)	E (mm)	F ¹ (mm)	G ¹ (mm)	H ¹ (mm)	I (mm)	J ¹ (mm)	K ² (mm)	L (mm)	M (mm)	N (mm)	Weight ³ (kg)
A10	115	196	272	190	190	120	605	177	170	80	16	9	147	105	15
A20	192	259	325	290	190	81	650	177	170	84	25	9	181.5	165	26
A25	262	309.5	415	380	220	94	835	225	570	96	25	15	205.5	195	56
A40	330	381	524	476	315	121	1,020	286	660	129	40	15	272.5	256	102
AX40	430	415.5	616	582	340	110	865	325	950	90	40	15	254.5	280	130
A65	554	455	802	720	509	165	1,060	442	950	155	65	19	317	397	244
AX80	746	582	1,004	946	580	158	1,250	531	1,100	120	80	19	400	481	457
A80	876	730.5	1,255	1,110	690	262	1,435	700	1,300	205.5	80	28	451	640	790
A100	1,040	817	1,505	1,370	820	300	1,500	820	1,900	295	100	28	572	760	963
AS125	1,280	960	1,685	1,570	1,000	260	NA ⁴	900	1,750	318	125	28	675	830	1,481

¹ Gear Motor - actual dimensions may vary with final selection

² A25 - AS125 available in ANSI 150 or DIN Flanges; A10 - A20 use Hose Barb Connections

³ Weight is of AS models (for reference only)

⁴ Not currently offered in a close coupled option

ALL INFORMATION IS SUBJECT TO CHANGE

Distributed by:

World Headquarters

1809 Century Avenue SW
Grand Rapids, MI 49503-1530 USA
T 616.241.1611 F 616.241.3752

European Headquarters

ZI Plaine des Isles, 2 rue des Caillottes,
89000 Auxerre, FRANCE
T +33.3.86.49.86.30 F +33.3.86.46.42.10



www.blackmer.com